

4P 1000V 32A



- 1 Waterproof Plug
- 2 IP66NW Ingress Protection
- 3 Sealing Plug
- 4 OFF
- 5 LOCK
- 6 Standard
- 7 Brand
- 8 Type
- 9 ON
- 10 Knob

BYH-32

BYH-32 with MC4



Accessories

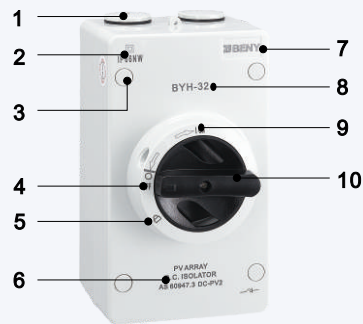
Application

BENY BYH Series DC Isolator Switch in plastic enclosure is applied 1~20KW Residential or Commercial Photovoltaic system, placed between photovoltage modules and inverters. Arcing time less than 3ms, that keep solar system more safe. To ensure its stability and long service life, our products are made by components with optimum quality. Max voltage up to 1000V DC It holds a safe lead among similar products.

Feature

- IP66 , UV Resistance
- Arcing Time < 3ms
- Earth Terminal
- IEC60947-3, AS60947.3
- 2 Pole, 4 Poles Available(Single | Double String)
- DC-PV2 / DC-21B: 32A up to 1000VDC

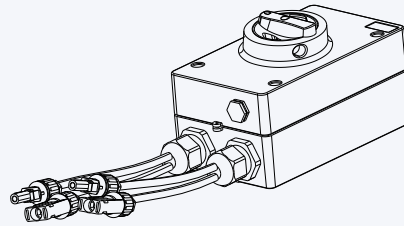
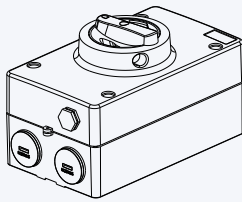
Appearance Introduction



Parameter

Electrical Characteristics		
Type	BYH-32, BYH-32M1, BYH-32M2	
Function	Isolator, Control	
Standard	IEC60947-3, AS60947.3	
Utilization category	DC-PV2 / DC-21B	
Pole	4P	
Rated frequency	DC	
Rated operational voltage (U_o)	500V, 600V, 800V, 1000V	
Rated operational current (I_o)	See the next page	
Rated insulation voltage (U_i)	1200V	
Conventional free air thermal current (I_{th})	//	
Conventional enclosed thermal current (I_{the})	Same as I_o	
Rated short-time withstand current (I_{cw})	1kA, 1s (4, 4B); 1.7kA, 1s (2H)	
Rated short-time making capacity (I_{cm})	1.7kA(4, 4B); 3kA(2H)	
Rated conditional short-circuit current (I_{cn})	3kA	
Rated impuled withstand voltage (U_{imp})	8.0kV	
Overvoltage category	II	
Suitability for isolation	Yes	
Polarity	No polarity, "+" and "-" polarities could be interchanged.	
Service Life/Cycle Operation		
Mechanical	15000	
Electrical	1000	
Installation Environment		
Ingress Protection	Enclsoure	IP66
	Switch body	IP20
Storage Temperature	-50°C ~ +90°C	
Operation Temperature	-40°C ~ +85°C	
Mounting Type	Vertically or horizontally	
Pollution degree	3	
Suitable environment	Outdoor / Indoor	

Breathing Valve



Remarks:

ZJBENY DC Isolator has a breathing valve already, to avoid the condensation issue.

Identification	Rating data		
Switch, unenclosed - catalogue number (with DC-PV2 rating)	BYH.1-32, BYH.2-32		
Specific dedicated individual enclosure - catalogue number (with minimum IP56NW rating)	BYH-32 IP66NW		
Assembly of switch and specific dedicated individual enclosure - catalogue number	/		
I_{th} rated thermal current, unenclosed, at 40°C shade ambient air temperature	32 amps		
I_{the} rated thermal current, indoors, at 40°C shade ambient air temperature, in a specific dedicated enclosure	32 amps		
I_{the} rated thermal current <u>outdoors</u> at 40°C shade ambient air temperature <u>without solar effects in</u> a specific dedicated enclosure rated IP66NW	32 amps		
I_{the} solar current value outdoors at 60°C shade ambient air temperature (see D.8.3.11, table D3), with solar effects in a specific dedicated enclosure rated IP66NW	29 amps		
	U_e rated operational voltage DC Volts	I_e ; DC-PV2 rated operational current Amps	$I_{(make)}$ and $I_{c(break)}$ DC-PV2 4 x I_e Amps
4-pole 2 pole in series 4 (<u>1</u> / <u>2</u> / ___)	300	32	128
	500	32	128
	600	13	52
	800	9	36
	1000	9	36
2-pole 4 pole in series 4B (<u>1</u> / <u>2</u> / <u>3</u> / <u>4</u> / ___)	300	32	128
	500	32	128
	600	32	128
	800	32	128
	1000	32	128

Wiring Diagram for Rated operational voltage U_e (V) & Rated operational current I_e (A)

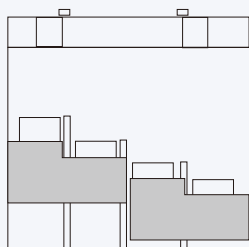
Contacts wiring diagram	300V	500V	600V	800V	1000V	Poles in series	Number of Strings	Type Number
	32A	32A	13A	9A	9A	2	2	4
	40A	40A	/	/	/	4	1	2H
	32A	32A	32A	32A	32A	4	1	4B
	32A	32A	32A	32A	32A	4	1	4S

Switching Configurations

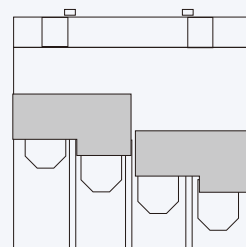
Type	4-pole	2-pole 4 Paralleled Poles	4-pole with Input and Output bottom	4-pole with Input on top Output bottom
/	4	2H	4B	4S
Contacts Wiring graph				
Switching example				

Bridging links installation

installed incorrectly





installed correctly

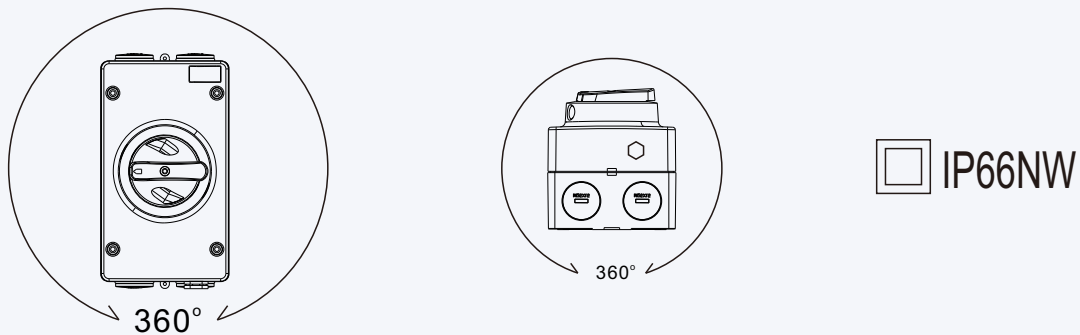


* Warning: Verify that all connections (including bridging link connections) are suitable for the rated current, prepared to ensure only conductive parts are clamped and tightened to the manufacturers required torque before energization.

Terminals / connection

Type	BYH-32, BYH-32M1, BYH-32M2	
Number of poles	4-pole	
Terminal designation, main circuit	1; 3; 5; 2; 4; 6; 7; 8	
Type of terminal, main circuit	Screw terminal	
Rated cross section area, main circuit	4.0-16mm ²	
Type of onductor		4-16mm ² (Rigid: Solid or Stranded)
		4-10mm ² (Flexible)
Number of conductors per terminal	1	
Required preparation of the conductor	Yes	
Stripping length (mm), main circuit	8mm	
Tightening torque (M4), main circuit	Min: 1.2Nm	
	Max: 1.8Nm	

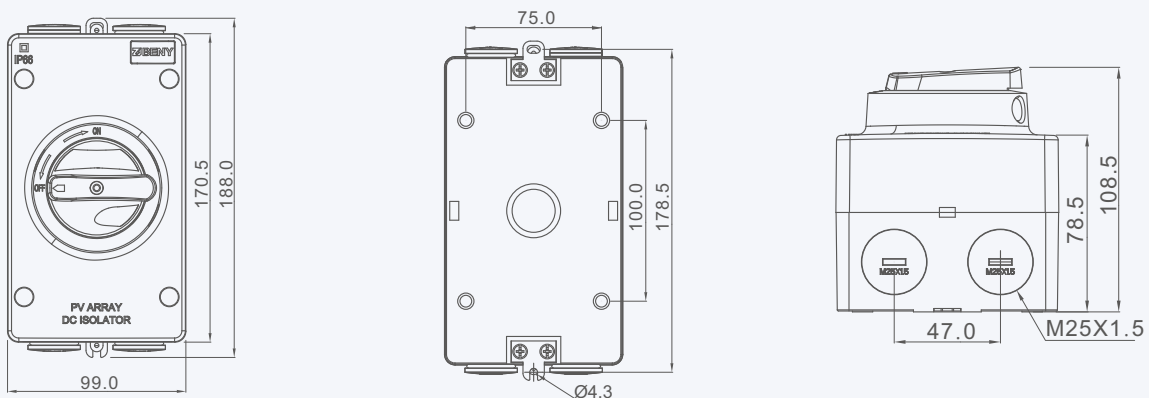
IP Rating



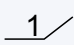
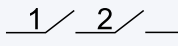
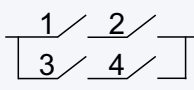
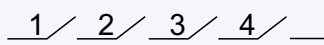
Remarks:

ZBENY DC Isolator can be installed in any direction, but must do well performance for waterproof.

Dimensions(mm)



Data according to AS60947-3: 2018

Main Contacts	Type	BYH-32	Appendix B5	
Rated thermal current I_{the}	A	32	Making & Breaking 5x operations	
Rated insulation voltage U_i	V	1000		
Distance of contacts (per pole)	mm	8		
Rated operational current I_e (DC-PV2)				
1 pole 1 	300V	A	25	100
	400V	A	10	40
	500V	A	8	32
	600V	A	8	32
	800V	A	3	12
	1000V	A	2	8
4-pole 2 pole in series 4 	500V	A	32	128
	600V	A	13	52
	700V	A	9	36
	800V	A	9	36
	900V	A	9	36
	1000V	A	9	36
2-pole 4 parallel poles 2H 	500V	A	40	160
	600V	A	/	/
	700V	A	/	/
	800V	A	/	/
	900V	A	/	/
	1000V	A	/	/
2-pole 4 pole in series 4B 	500V	A	32	128
	600V	A	32	128
	700V	A	32	128
	800V	A	32	128
	900V	A	32	128
	1000V	A	32	128

Enclosed Solar Isolator Extended Warranty Terms

Zhejiang Benyi Electrical Co.,Ltd offers the following extended **5 Year Warranty** for installations within the Australia, Europe and Middle East only.

Zhejiang Benyi Electrical Co.,Ltd warrants that if under proper use the solar isolator BYH-32 and/or BYT-32 and/or BYSS-50 develop any defect during the period 5 years from date of delivery due to defective parts or materials supplied Zhejiang Benyi Electrical Co.,Ltd shall at its own expense replace or repair such goods as are defective so as to remedy the defects except where such defects are attributable to accident, fair wear and tear, or any action omission or neglect of the buyer or of its agents. The buyer must ensure that during the period the solar isolator is operated at least once per annum within the product's specified parameters of proper use and is not used outside or beyond such specification as stated by Zhejiang Benyi Electrical Co.,Ltd unless such conditions and parameters are agreed in writing by Zhejiang Benyi Electrical Co.,Ltd. Such conditions include but are not limited to current rating, voltage rating, temperature conditions and sunlight exposure.

The buyer must give Zhejiang Benyi Electrical Co.,Ltd notice of any alleged defect as soon as it becomes apparent, and shall (unless otherwise instructed by Zhejiang Benyi Electrical Co.,Ltd) retain the goods at the buyer's premises for inspection by Zhejiang Benyi Electrical Co.,Ltd and give Zhejiang Benyi Electrical Co.,Ltd adequate facilities to investigate the complaint at the buyer's premises.

Zhejiang Benyi Electrical Co.,Ltd shall not be liable in any event whatsoever for any indirect, special or consequential damages, arising out of the use of the goods at any time or howsoever caused by the goods.