

Time setting and block out time setting

Current time setting

As part of the water heating cycle the system references the time on the controller. The system operates at its optimal design if the clock is set before starting to use the product, however if the clock is not set the unit will still operate. The current time can be set in the Clock Setting Mode as described below. (Refer to figure 13)

*Note

There is no need to adjust the time setting for the daylight saving period. Even if the installation is conducted during the daylight saving period, setting the clock to the ordinary time (not daylight saving time) is preferable.

1. Switching to Clock Setting Mode

Press the “Enter” key in the Clock Display Mode to switch to the Clock Setting Mode. Time Display starts flashing once the mode is switched.

2. Setting the Clock

The time setting can be adjusted by pressing “Up” and “Down” keys. Fast forward and rewind are available by pressing and holding down a key.

3. Confirming Time Setting

After the clock is adjusted to the current time, press the Enter key to confirm the setting. The time display stops flashing and comes on once the setting is finished.

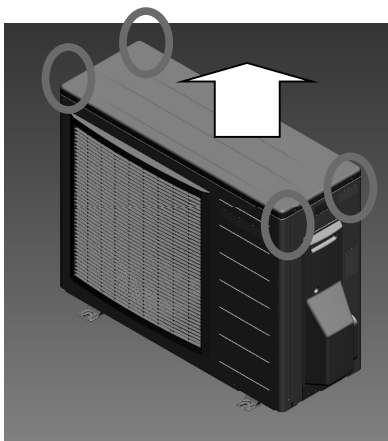
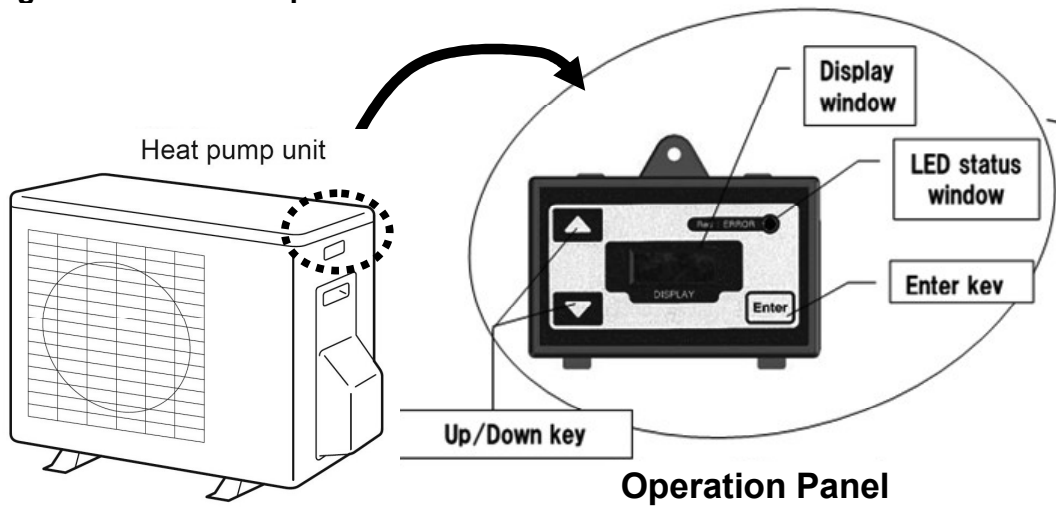
*Caution

The display automatically goes back to the Clock Display Mode when no panel operation is performed for more than 60 seconds in the Clock Setting Mode. If this occurs, changes made will not be reflected to the setting. If the clock setting is rewound to a time that is earlier than the time when a heating cycle is triggered, the system will start the heating cycle.

*Note

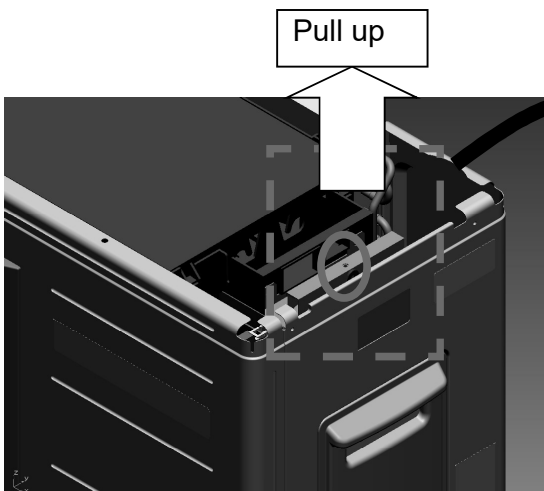
When no panel operation is performed for more than 60 seconds the display is switched to the Display Sleep Mode and turns off. Display Sleep Mode is cancelled when Up, Down or Enter key is pressed.

Figure 12 How to operate the controller



How to remove the operation panel

- 1.Remove Top Panel (4 screws)
- 2.Remove the screw
- 3.Pull up Operation Panel



Operation Panel

Block out time setting mode

This mode is used to set the block out time that blocks the heat pump unit operation within the setting time. Block out times are used if the customer has a time of use tariff.

Change the mode

Press and hold down Up and Down keys together in the clock display mode to go to the block out time setting mode. Once the mode is changed, 'bo' and '00XX' (00 = start time, XX = end time) are displayed. (Initial setting = 00 o'clock for both start and end)

Adjust set block out start time

Press Up or Down key and '00' (start time) in '00XX' starts flashing and 'XX' (end time) illuminates. Now the block out start time can be adjusted. Setting can be performed only in hour increments, not in minutes.

Set block out start time

Press the Enter key to set the desired time setting. After the start time is set, the start time display stops flashing. The end time display starts flashing at the same time.

Adjust block out end time

Set to the desired end time by using Up and Down keys. Setting can be performed only in hour increments, not in minutes.

Set block out end time

Press enter key to adjust the desired time setting. After the end time is set, the start time and end time are displayed for two seconds, then it starts to display 'bo' and '00XX' (00 = start time, XX = end time) by turns.

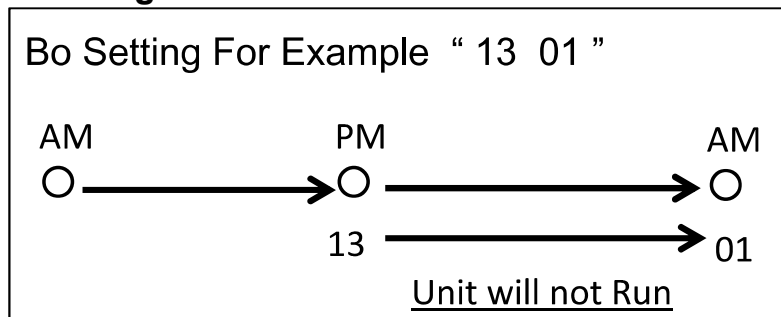
Go back to clock display mode

Hold down Enter key to go back to the clock display mode. It will automatically go back to the clock display mode when no panel operation is performed for more than 60 seconds. Block out time setting mode cannot be set unless the end time setting is confirmed.

Cancel block out setting

To cancel the block out setting, set both start and end times to '00'. Setting to other than '00' (01 ~ 23) will be interpreted as a setting error and the end time will flash. Make sure to set both times to '00' when cancelling the block out time setting

※Example setting



Maintenance Mode

Maintenance mode is a function to check the heat pump unit status and to check and perform other settings. It should generally be assumed that the owner does not operate this function. The following modes can be found in the maintenance mode.

Heat setting mode

Set the heating mode

Block out time setting mode

Set the block out time

Error history display mode

Check the history of any errors that may have occurred.

Parameter display mode

Check the values measured by the thermistor.

Air removing mode

Set the air removing mode

How to switch to Maintenance Mode

Press and hold down Up and Down keys together in the clock display mode to go to the maintenance mode. After the mode is switched, press the Enter key to select a mode from the five modes described above. To finish the maintenance mode, press and hold down the Enter key, or leave for more than 60 seconds with no panel operation.

Figure 13 Maintenance mode diagram

